

# EVOPUR E220 POLYURETHANE FOAM & POLYUREA SPRAY MACHINE



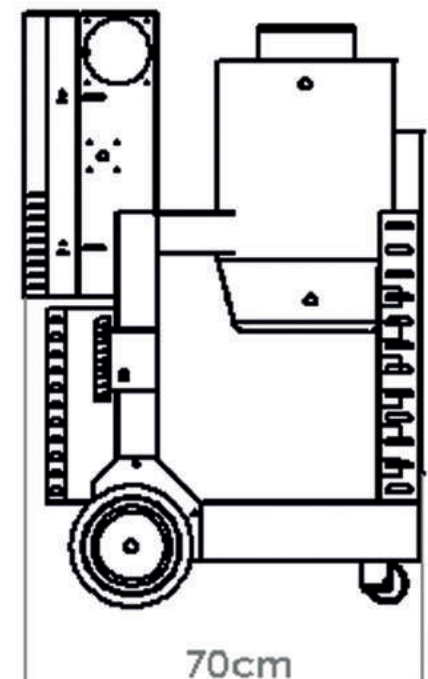
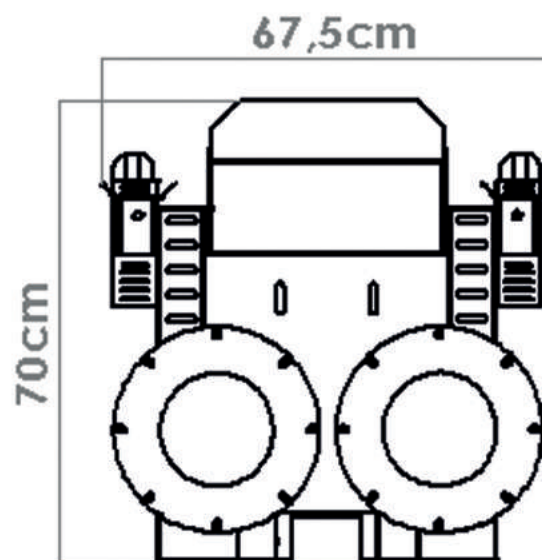
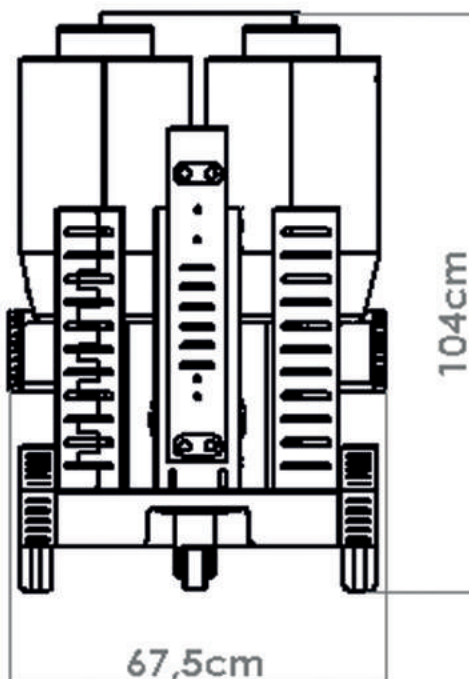
**evo**pur<sup>®</sup>  
Evolution Pur Technology

 **ATG**  
Endüstriyel Teknoloji A.Ş.

# EVOPUR E220 POLYURETHANE FOAM & POLYUREA SPRAY MACHINE



EVOPUR E220 POLYURETHANE FOAM & POLYUREA SPRAY MACHINE	EUROPE	AMERICA
Max kw	3,5	4,1
Voltage	220	110
Phase	1 Ø Y	1 Ø Δ
Hz	50	60
Max Fluid Output (25°C)	6 kg	6 kg
Adjustable Pressure	10 bar – 100 bar	10 bar – 100 bar
Max Fluid Pressure (25°C)	1,0 mpa 100 bar	1,0 mpa 100 bar
Tank Capacity (Each)	30 lt	30 lt
Max Fluid Temp	75°C	75°C
Heater kw	2000 kw	2000 kw
Weight	136 kg	136 kg
Max Hose Length (mt)	30 mt	30 mt
Generator kw	7,5 kva	9 kva

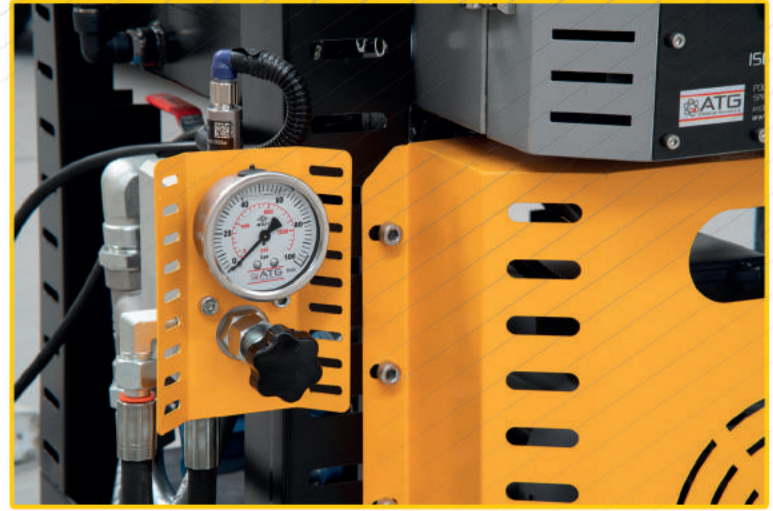


Evopur E Series are ATG's beginner level single phase spraying machine.

It is a best match for small application areas and repair jobs. Biggest advantages are low weight and low pressurised air. It is the best option for the areas where hydraulic units having hard time to enter.

- Easy Transport
- Low Energy Consumption
- Bucket System
- Minimized Dimensions
- Fast and Effective





**Factory :**  
Organize Industry Area 18.Street  
Number:38 KAYSERİ / TURKEY  
P : +90.352 322 10 18

**Marmara Office :**  
Birmes Industry Area Mescit Neighborhood  
A4 Block Nmber:2 Orhanlı/Tuzla/İSTANBUL  
P: +90.216 398 26 58

e-mail : info@atgmakina.com

[www.atgmakina.com](http://www.atgmakina.com)  
[www.poliuretanmakinesi.com](http://www.poliuretanmakinesi.com)

